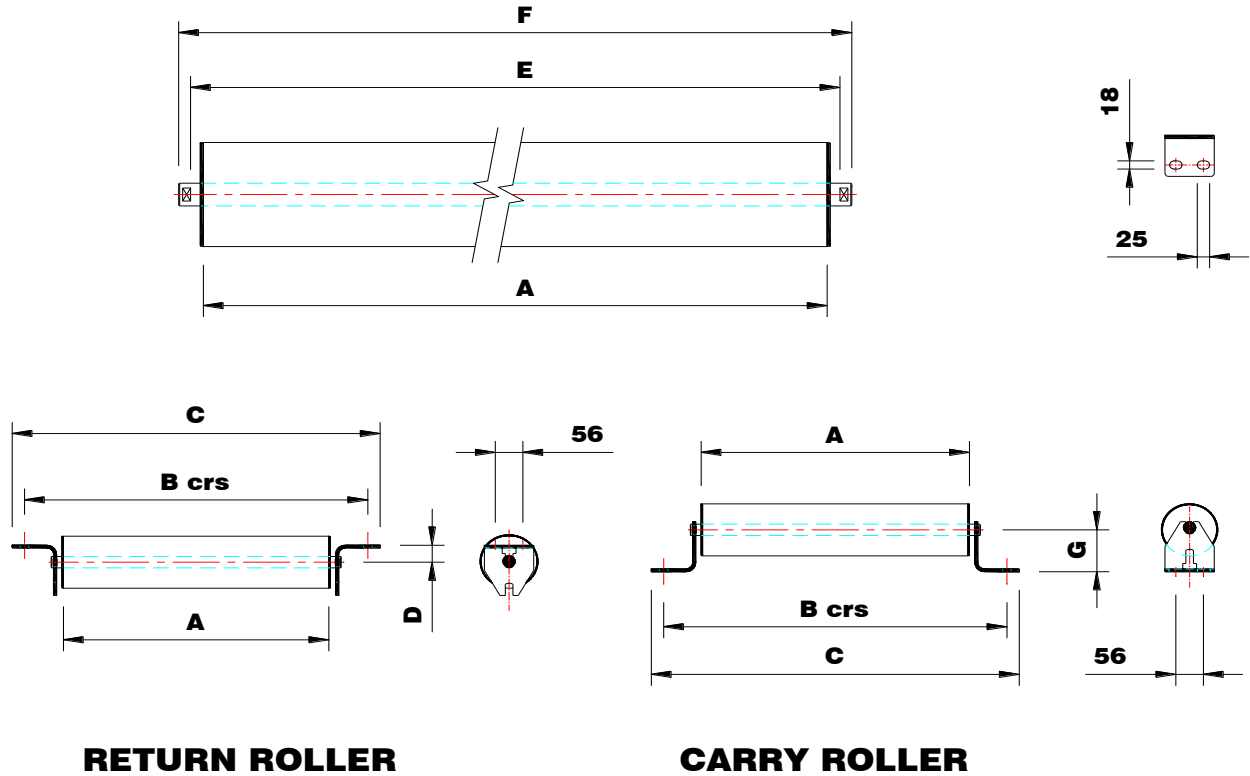


3 ROLL OFFSET TROUGH / IMPACT SETS										
Belt Width (mm)	Ø114 mm ROLLER DIA				6205 BRG		25 mm SHAFT			
	A	B	C	D	TROUGH ANGLE					
					20°		35°		45°	
					E	F	E	F	E	F
450	172	700	175	56	241	529	278	457	303	427
600	224	850	175	56	259	678	308	594	340	552
750	278	1000	175	56	278	834	339	737	378	683
900	331	1150	175	56	296	987	369	877	416	811
1050	383	1300	175	56	313	1136	399	1014	452	936
1200	436	1450	175	56	332	1289	430	1154	490	1064

Ø114 /25 mm PLAIN / IMPACT ROLLER					
Belt width (mm)	A	G	H	STEEL ROLLER WEIGHT (Kg)	IMPACT ROLLER WEIGHT (Kg)
450	172	219	192		
600	224	271	244		
750	278	325	298		
900	331	378	351		
1050	383	430	403		
1200	436	483	456		

FRAME
WEIGHT (Kg)
9.3
10.6
11.8
14.0
15.5
16.9

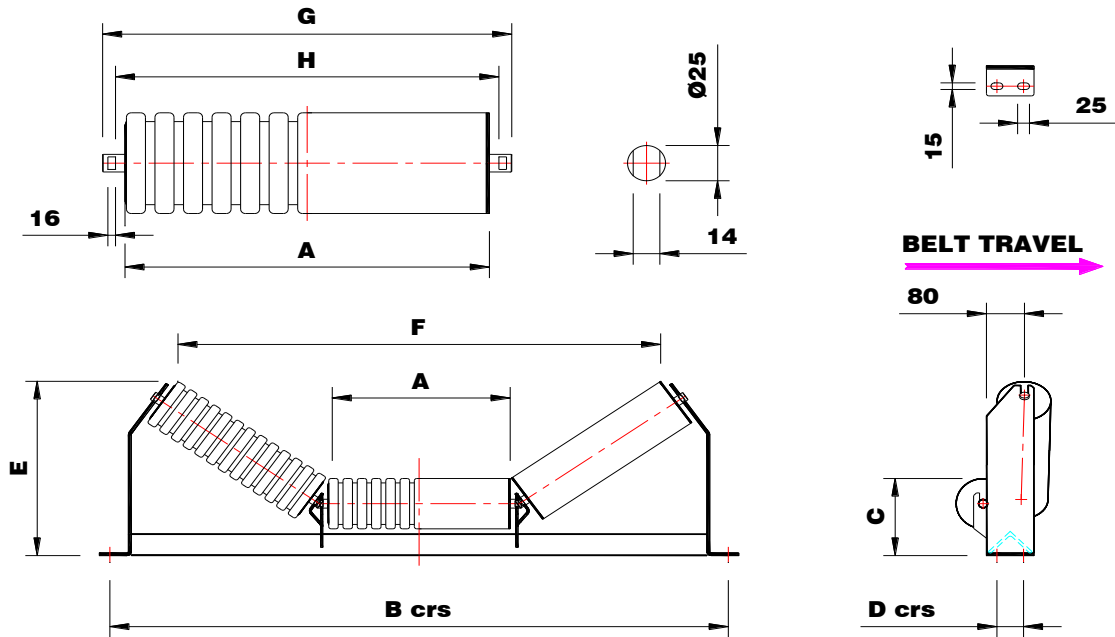
OTHER SIZES AVAILABLE UPON REQUEST



BRACKET
WEIGHT (Kg)
0.7

Φ114 mm FLAT RETURNS & CARRY ROLLER DIA									
Belt Width (mm)	6205 BRG			25 mm SHAFT				STEEL ROLLER WEIGHT (Kg)	POLY ROLLER WEIGHT (Kg)
	A	B	C	D	E	F	G		
450	544	700	750	36	564	591	96	7.7	4.2
600	694	850	900	36	714	741	96	9.4	5.6
750	844	1000	1050	36	864	891	96	10.7	6.7
900	994	1150	1200	36	1014	1041	96	12.6	7.8
1050	1144	1300	1350	36	1164	1191	96	15.3	8.6
1200	1294	1450	1500	36	1314	1341	96	17.4	9.7

OTHER SIZES AVAILABLE UPON REQUEST

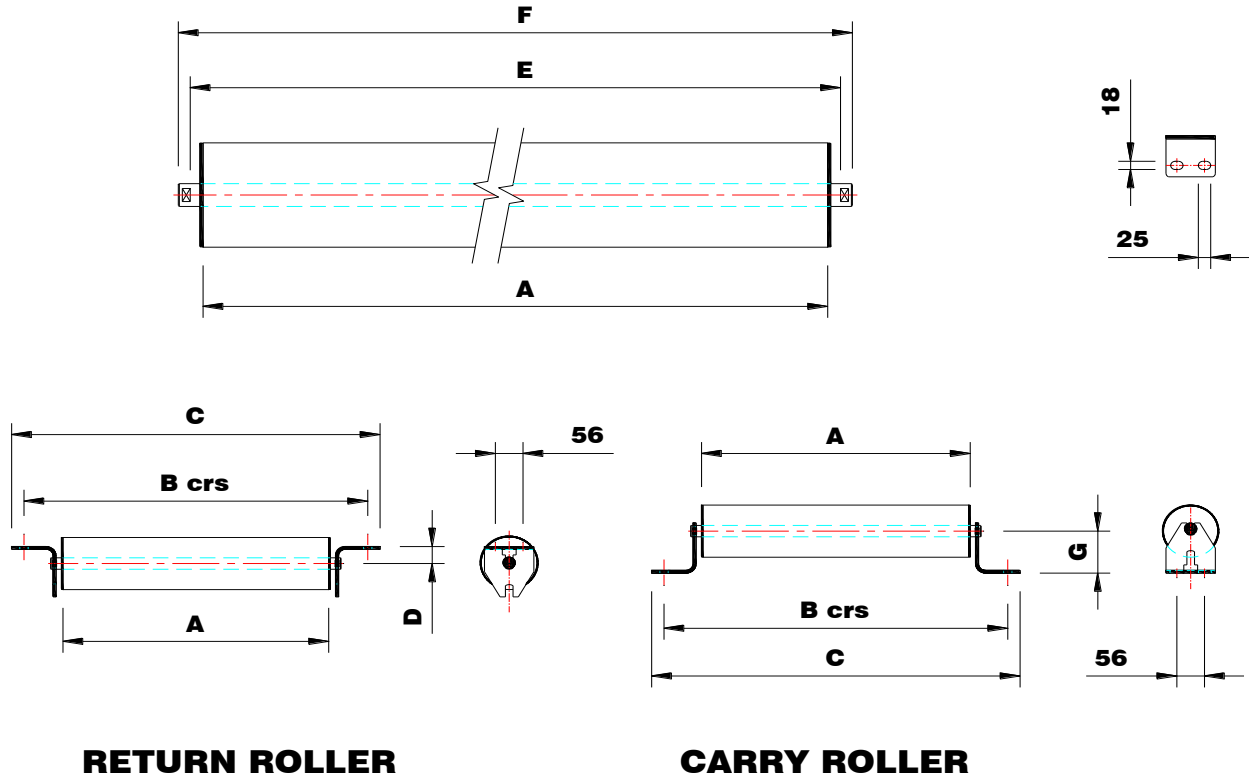


3 ROLL OFFSET TROUGH / IMPACT SETS										
Belt Width (mm)	Ø127 mm ROLLER DIA				6205 BRG		25 mm SHAFT			
	A	B	C	D	TROUGH ANGLE					
					20°		35°		45°	
					E	F	E	F	E	F
450	172	700	184	56	247	521	281	447	307	413
600	224	850	184	56	265	670	311	584	344	538
750	278	1000	184	56	284	826	342	727	382	669
900	331	1150	184	56	302	979	372	867	420	797
1050	383	1300	184	56	319	1128	402	1004	456	922
1200	436	1450	184	56	338	1281	433	1144	494	1050

Ø127 mm PLAIN / Ø133 mm IMPACT ROLLER					
Belt width (mm)	A	G	H	STEEL ROLLER WEIGHT (Kg)	IMPACT ROLLER WEIGHT (Kg)
450	172	219	192	3.2	4.0
600	224	271	244	3.8	6.5
750	278	325	298	4.5	7.5
900	331	378	351	5.0	9.0
1050	383	430	403	5.7	10.5
1200	436	483	456	6.5	11.8

FRAME	
WEIGHT (Kg)	
9.3	
10.6	
11.8	
14.0	
15.5	
16.9	

OTHER SIZES AVAILABLE UPON REQUEST



BRACKET
WEIGHT (Kg)
0.7

Φ127 mm FLAT RETURNS & CARRY ROLLER DIA								
Belt Width (mm)	6205 BRG			25 mm SHAFT				STEEL ROLLER WEIGHT (Kg)
	A	B	C	D	E	F	G	
450	544	700	750	36	564	591	96	8.5
600	694	850	900	36	714	741	96	10.0
750	844	1000	1050	36	864	891	96	12.0
900	994	1150	1200	36	1014	1041	6	14.5
1050	1144	1300	1350	36	1164	1191	96	16.5
1200	1294	1450	1500	36	1314	1341	96	18.5

OTHER SIZES AVAILABLE UPON REQUEST